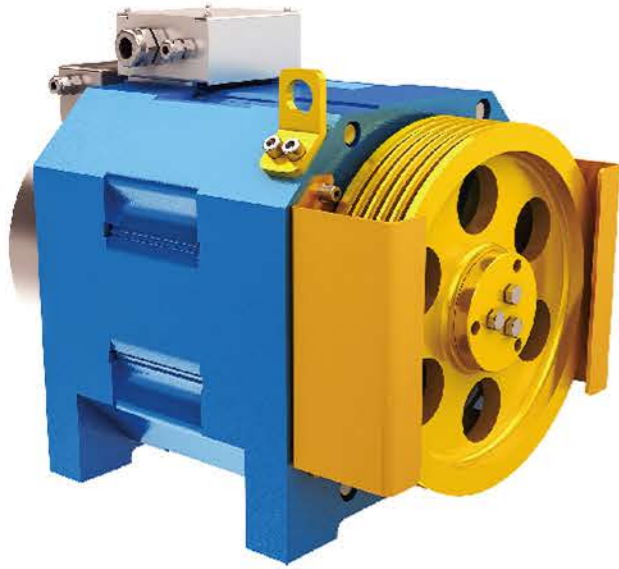


## Gearless traction machine

## 无齿曳引机

## Ruban-630



## 产品特点 Product characteristics

额定载重: 320、450、630kg

额定梯速: 0.63、1.0、1.6、1.75m/s

最大轴负荷: 2000kg

适配变频器: 3相400V级

制动器电流: 2×1.32A

制动器电压: DC110V

电机级数: 20极

工作制: S5 40%

Rated capacity: 320、450、630kg

Rated elevator speed: 0.63、1.0、1.6、1.75m/s

Max. shaft load: 2000kg

Applicable converter: 3 phase 400V

Brake current: 2×1.32A

Brake voltage: DC110V

Number of motor poles: 20 poles

Duty type: S5 40%

## 产品描述 Product description

本系列无齿曳引机采用细长型设计, 结构紧凑, 便于小机房、无机房安装。

曳引轮为悬臂式安装, 方便用户安装与拆卸曳引轮。

定子铁心采用独特的叠压设计, 无需机座, 降低主机重量及成本。

采用花键配合的轴刹式制动器, 结构紧凑, 有效节省空间, 性能更为优异。

独特的内转子结构和优异的磁场设计, 使产品的性能优异, 噪音小, 运行平稳。

This series of toothless traction machine adopts slim design, compact structure, easy to install small machine room, machine room.

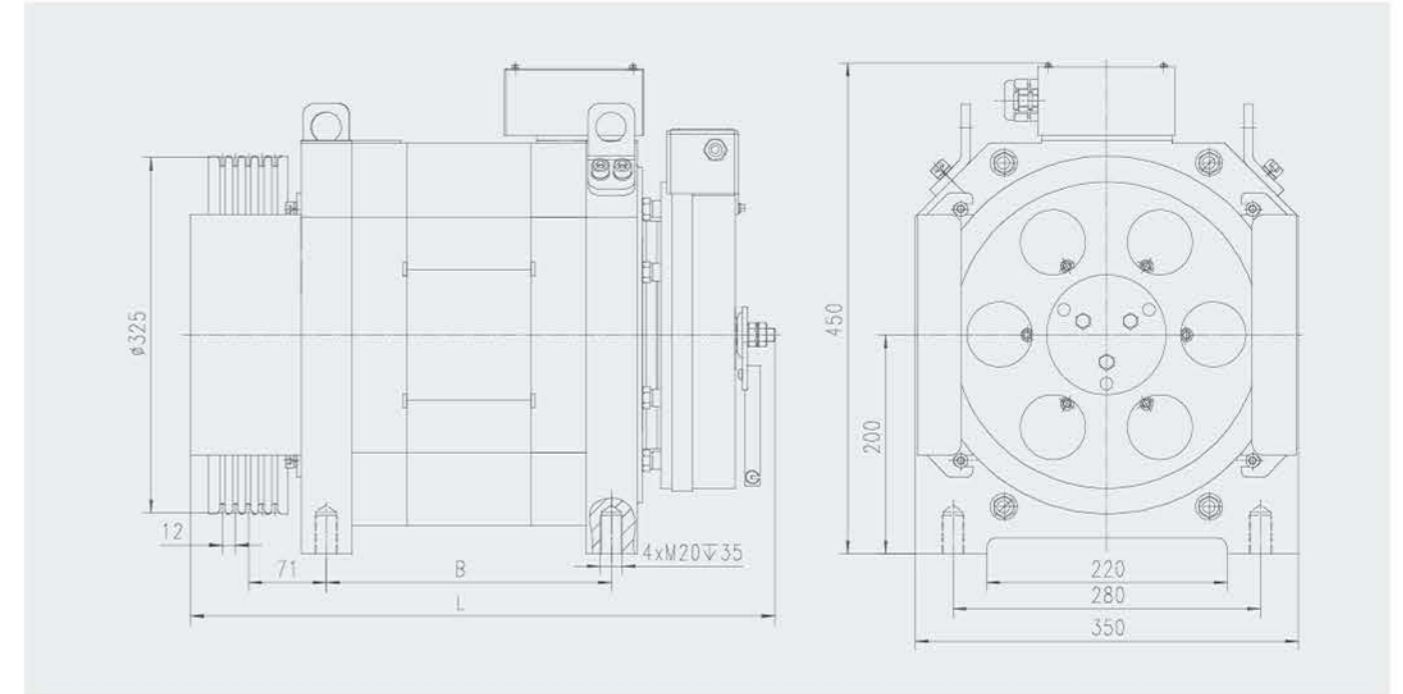
The traction sheave is cantilevered, which makes it easy for the user to install and dismount the traction sheave.

The stator core adopts a unique laminated design, eliminating the need for a stand and reducing the weight and cost of the host.

The use of splined shaft brake brakes, compact structure, effective space-saving, more excellent performance.

The unique inner rotor structure and excellent magnetic field design enable excellent product performance, low noise, and stable operation.

## 外形和安装尺寸 Overall dimensions and mounting dimensions



型号 Type	曳引比 Traction ratio	梯速 Speed (m/s)	载重 Load (kg)	功率 Power (kW)	转速 Rev (r/min)	频率 Frequency (Hz)	电流 Current (A)	转矩 Torque (N·m)	绳规 Rope	B	L	自重 Weight (kg)	推荐提升高度 Recommended lifting height(m)
Ruban-6.3-320	2:1	0.63	320	1.3	73.8	12.3	3.8	170	3XΦ8	212	487	200	30
Ruban-10-320		1.0		2.1	117	19.5	5.6						40
Ruban-16-320		1.6		3.4	187.8	31.3	6.5						60
Ruban-6.3-450	2:1	0.63	450	1.9	73.8	12.3	4.4	245	4XΦ8	234	509	220	30
Ruban-10-450		1.0		3	117	19.5	6.9						40
Ruban-16-450		1.6		4.8	187.8	31.3	10.5						60
Ruban-6.3-630	2:1	0.63	630	2.6	73.8	12.3	6.1	340	5XΦ8	260	535	250	30
Ruban-10-630		1.0		4.2	117	19.5	9.3						40
Ruban-16-630		1.6		6.6	187.8	31.3	14.6						60
Ruban-17.5-630		1.75		7.3	205.2	34.2	15.4						60